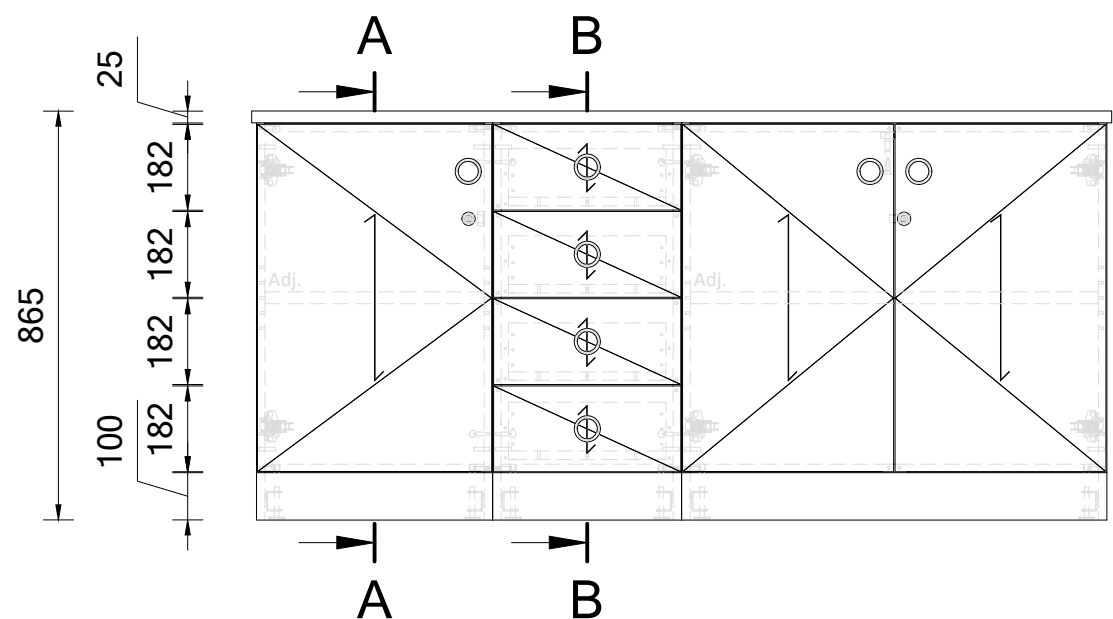
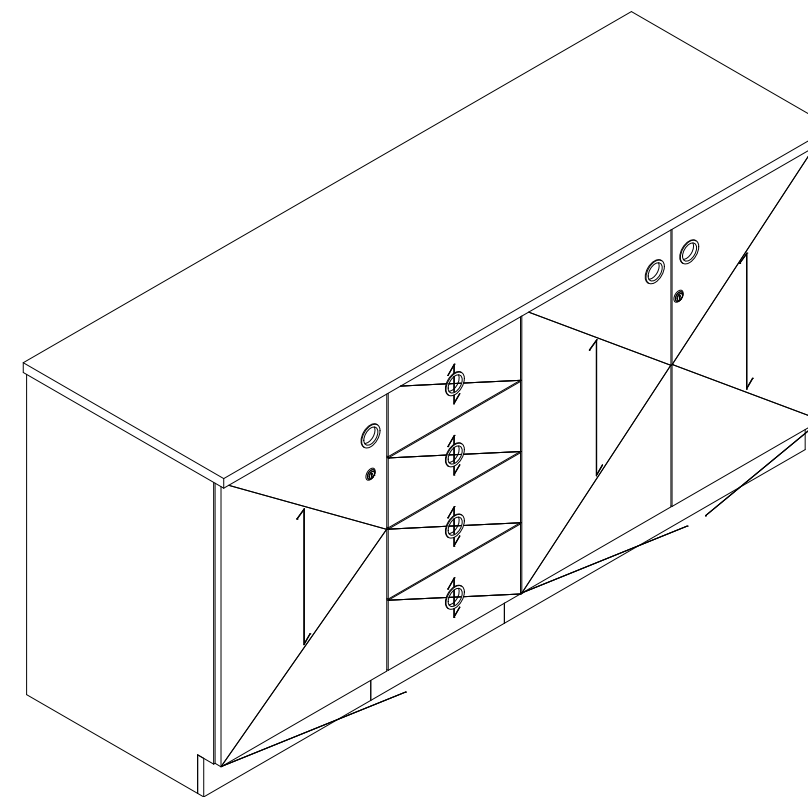


Plan View

REB10

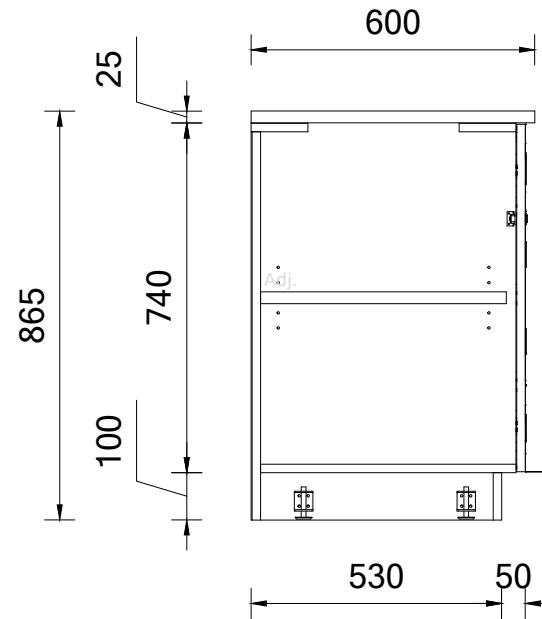
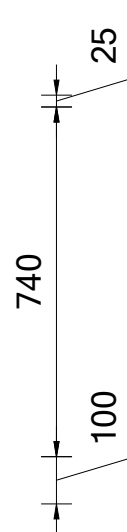
1:16



Elevation 1

REB10

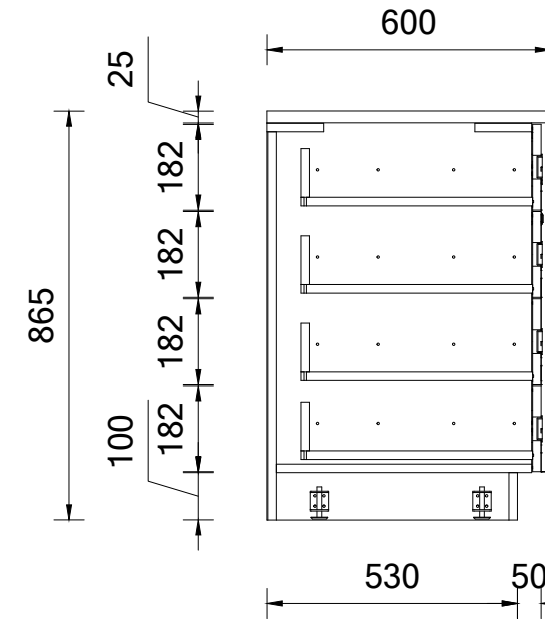
1:16



Section A

REB10

1:16



Section B

REB10

1:16



www.batger.com.au

Project	BATGER
Item	REB10
Description	Bench Cupboard Home Science
Scale	1:16
Drawing #	BATGER_REB10

Item	Description
Exterior	Laminex - 18mm Moroccan Clay Flint E0 MR MDF w/ matching 2mm edgetape
Interior	Laminex - 18mm Moroccan Clay Flint E0 MR MDF w/ matching 2mm edgetape
Benchtop, Adj. Shelf	Laminex - 25mm Moroccan Clay Flint E0 MR MDF w/ matching 2mm edgetape
Kick	Laminex - 18mm Moroccan Clay Flint E0 MR MDF w/ matching 2mm edgetape
Handle	Education Handle, D-Handle, Bow Handle, Knob (Chrome)
Hinges	Hettich - Sensys 165°

Revision:	A	Date Drawn:	24.09.25
Scale:	1:16		
Page:	1 of 1		
Drawn By:	Jarrod		