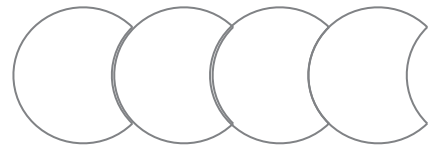
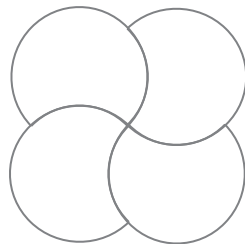
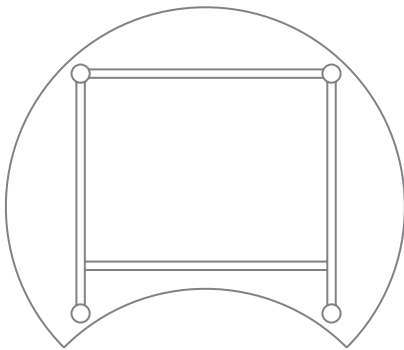


Concave table



← 900mm →



Name: Concave Table

Description: Steel frame collaborative student desk. Works well as single desk or can be easily clustered together with other desks. Sits one per desk for senior students and up two per desk for junior students.

Code: RET90

Size/s: 900D x 720H

Composition: 18mm Laminate top (Laminex E0 board)
38mm round steel tube legs
35 x 20mm steel frame (square tube)

Options: Various fixed heights
Height adjustable legs
Lockable castors
Custom sizes
Writeable surface
Compact laminate

Laminate colours



All board used is Australian sourced, E0 and Green Tag certified

More colours available - call 1300 553 240

Frame colours



Edging options:

Matching edging - matches standard laminate range
Polished edging - clear or black allows a more rounded finish.

