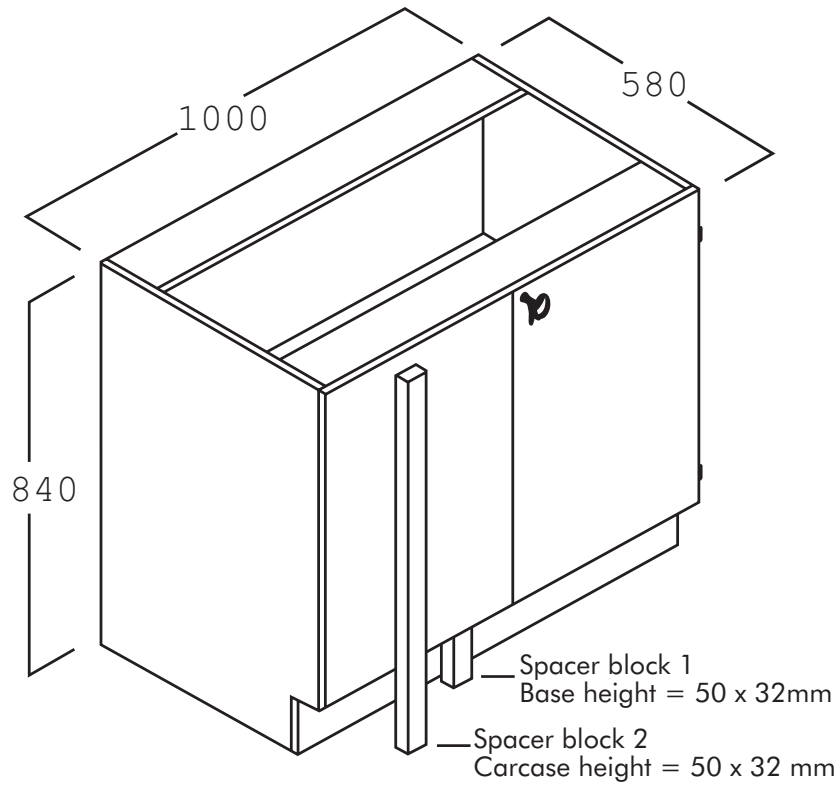


Corner Bench Cupboard



Name: Corner Bench Cupboard

Description: Kitchen Bench Cupboard with 3 doors (Lockable) and 4 drawers. Built by Batger to NSW DET standards.

Code: REB23

Size: 450W x 580D x 840H

Composition: 18mm Laminex E0 board
Adjustable feet for levelling (Internal)
1 Storage Shelf
1 Door
Fixed Panel

Options: Benchtop
LH or RH Door
Colour
Handles
Castors



Colours



Handles



More colours available in the **Laminex Commercial Range** brochure on our website.

* Default unless specified

