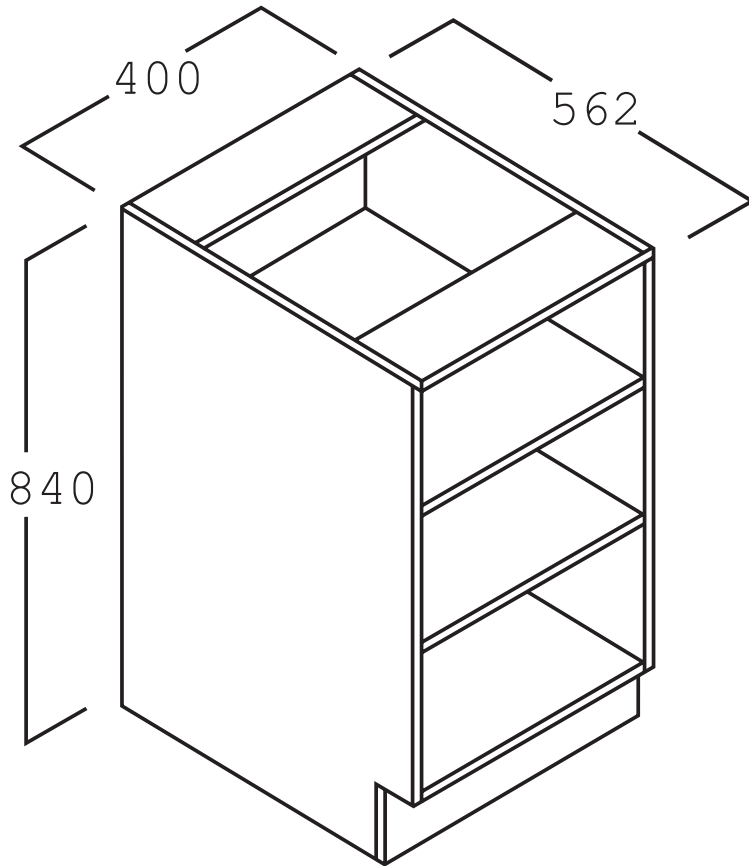


# Open Bench Cupboard 400



**Name:** Open Bench Cupboard 400

**Description:** Open Bench Cupboard 400 with 2 shelves and no Benchtop. Built by Batger to NSW DET standards.

**Code:** REB129

**Size:** 400W x 580D x 840H

**Composition:** 18mm Laminex E0 board  
Adjustable feet for levelling (Internal)  
2 Shelves

**Options:** Benchtop  
Doors  
Colour  
Handles  
Castors



## Colours



## Handles



More colours available in the **Laminex Commercial Range** brochure on our website.

\* Default unless specified

