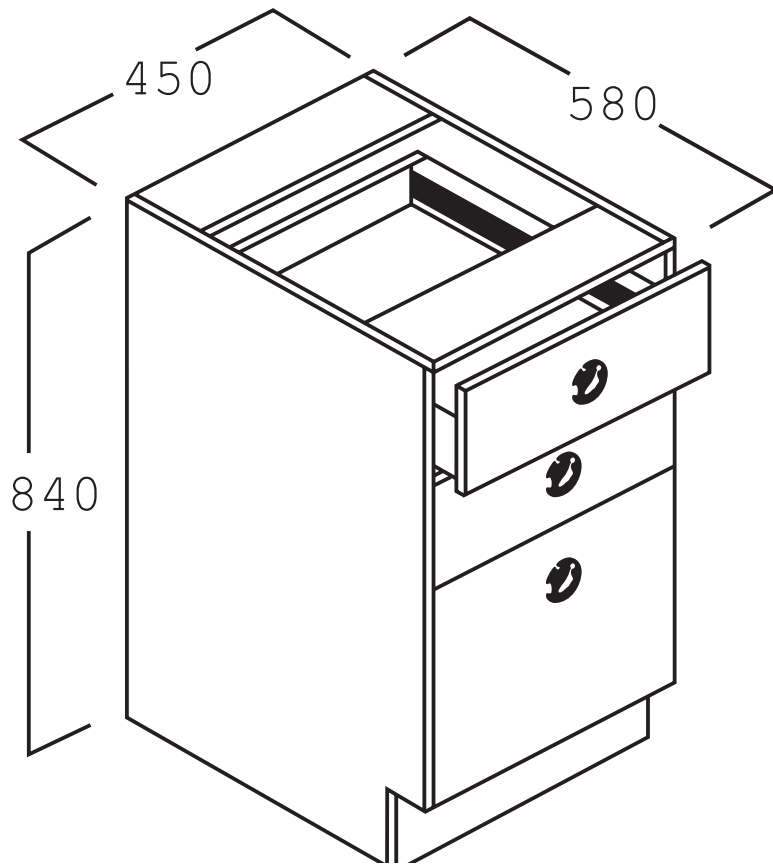


# 3 Drawer Bench Cupboard 450



**Name:** 3 Drawer Bench Cupboard 450

**Description:** 3 Drawer Bench Cupboard 450 and no Benchtop. Built by Batger to NSW DET standards.

**Code:** REB126

**Size:** 450W x 580D x 840H

**Composition:** 18mm Laminex E0 board  
Adjustable feet for levelling (Internal)  
3 Drawers  
Lock

**Options:** Benchtop  
Colour  
Handles  
Castors



## Colours



## Handles



More colours available in the **Laminex Commercial Range** brochure on our website.

\* Default unless specified

